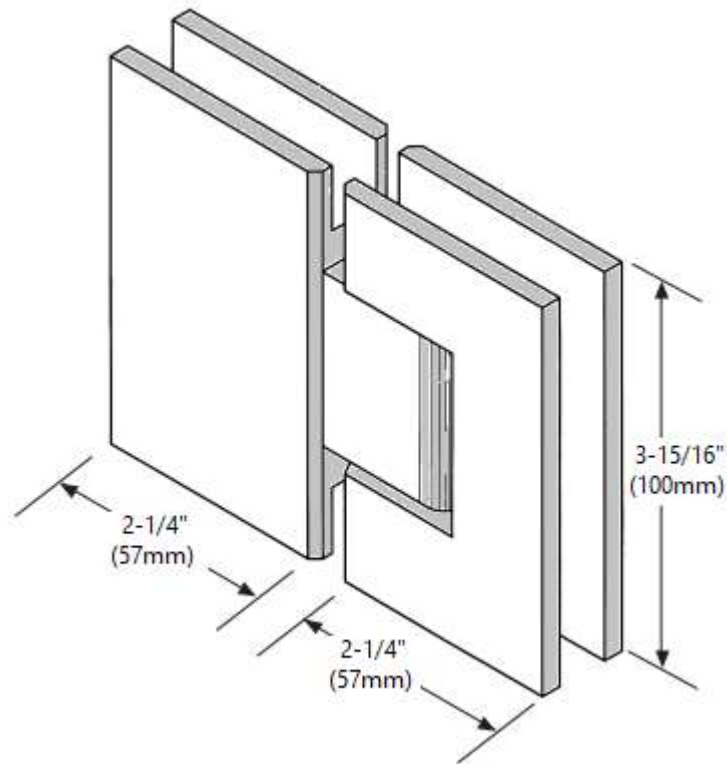


GLASSFAB TEMPERING SERVICES

HINGE DIMENSIONS: HHSI & HHBI

DRAWING NOT TO SCALE



Specifications:

Designed for Use On 3/8" and 1/2" (10mm and 12mm) Tempered Glass Only

Maximum Door Weight for Two Hinges: 110 lbs (50kg) With Maximum Door Width of 36" (914mm)

Maximum Door Weight for Three Hinges: 140 lbs (64kg) With Maximum Door Width of 36" (914mm)

Self-Closing at 15 degrees

Additional Notes:

Height: 3-15/16" With 5 Degree Reversible Pivot Pin

Unit of Measure: Each

Material: Brass