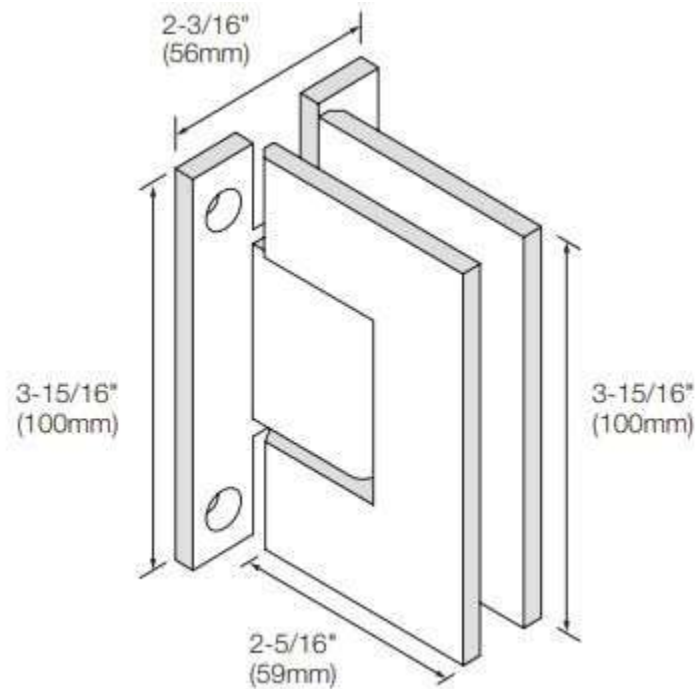


GLASSFAB TEMPERING SERVICES

HINGE DIMENSIONS: HHSW & HHBW

DRAWING NOT TO SCALE



Specifications:

Designed for Use On $\frac{3}{8}''$ and $\frac{1}{2}''$ (10mm to 12mm) Tempered Glass Only

Maximum Door Weight for Two Hinges: 110 lbs (50kg) With Maximum Door Width of 36" (914mm)

Maximum Door Weight for Three Hinges: 140 lbs (64kg) With Maximum Door Width of 36" (914mm)

Self-Closing at 15 degrees

H-Plate Design

Additional Notes:

Height: $3\frac{15}{16}''$

With 5 Degree Reversible Pivot Pin

Unit of Measure: Each

Material: Brass