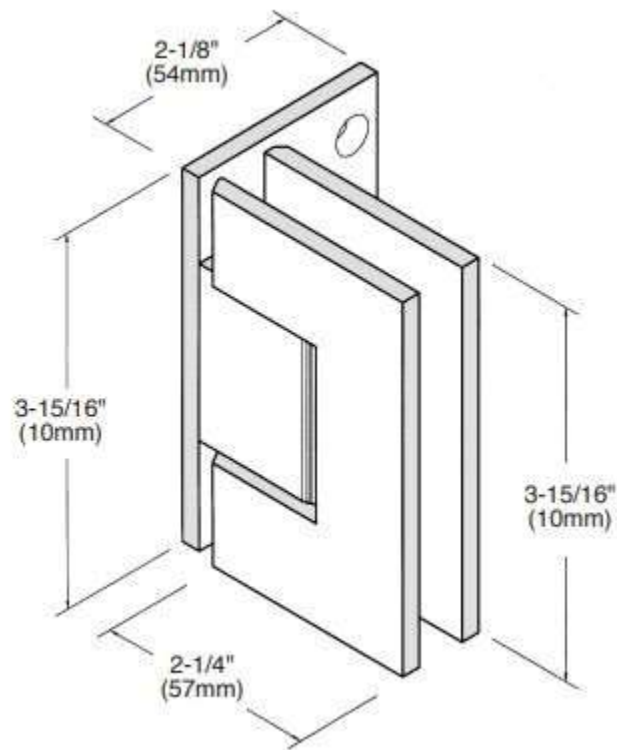


GLASSFAB TEMPERING SERVICES

HINGE DIMENSIONS: HHSO & HHBO

DRAWING NOT TO SCALE



Specifications:

Designed for Use On 3/8" and 1/2" (10mm to 12mm) Tempered Glass Only

Maximum Door Weight for Two Hinges: 100 lbs (45kg) With Maximum Door Width of 34" (864mm)

Maximum Door Weight for Three Hinges: 130 lbs (59kg) With Maximum Door Width of 34" (864mm)

Self-Closing at 15 degrees

Additional Notes:

Height: 3-15/16"

With 5 Degree Reversible Pivot Pin

Unit of Measure: Each

Material: Brass