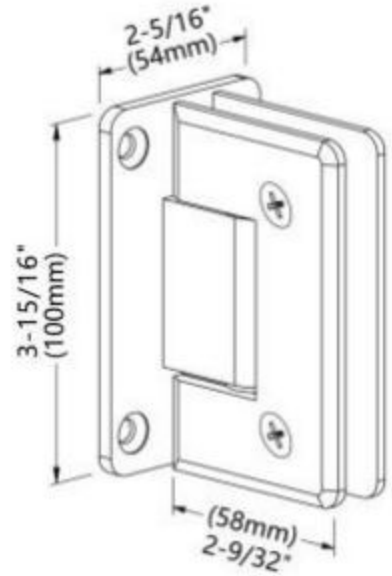


HINGES HEAVY DUTY BEVELED EDGE



40009

Wall to Glass
Full Back Plate Hinge



EN1935 100,000 Lifecycles Tested

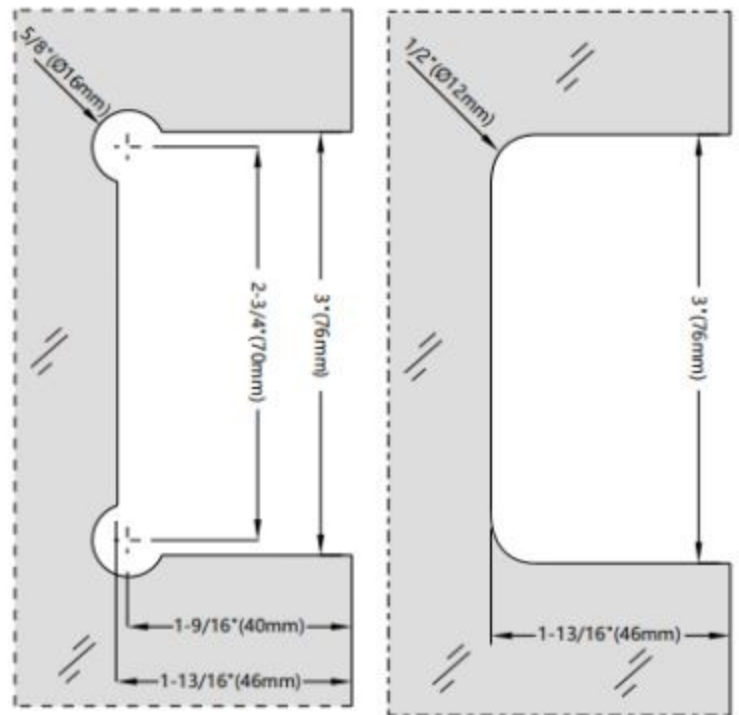
| | |
|-------------------------|---|
| Material | : Solid Brass |
| Glass Thickness | : 3/8"(10mm)-1/2"(12mm) tempered glass |
| Maximum Door Weight | : 50kgs/2pc or 65kgs/3pcs |
| Maximum Door Width | : 36"(914mm) |
| Screws available | : phillips screws, allen screws |
| Automatic Door Function | : 20° |

Available Finishes



Notes:

1. Do not exceed either maximum weight or width when choosing proper quantity of hinges.
2. Washers should be added between glass and shower hinges according to glass.
3. All the screws should be fastened and ensure no loosening and sliding in use.
4. Regular maintenance should be carried out during the use of shower hinges
5. The shower hinges only for use on tempered glass.



*This hinge is designed to accommodate two types of cut-outs: standard "mouse ear" (left) or "rectangular" (right) via removable pins .