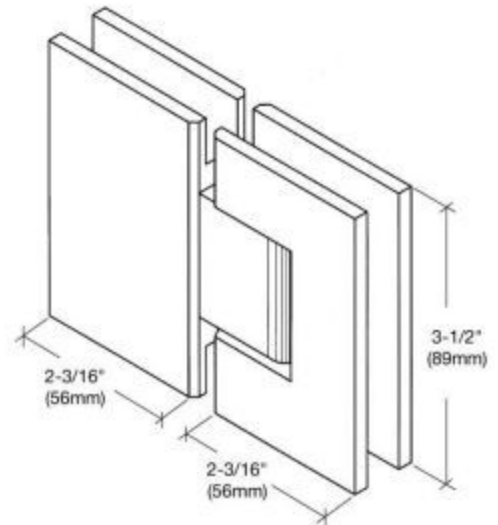


## HINGES-STANDARD DUTY, SQ EDGE



# 30004

## Glass to Glass 180° Hinge



**EN1935 100,000 Lifecycles Tested**

Material	: Solid Brass
Glass Thickness	: 5/16"-1/2" (8-12mm) tempered glass
Maximum Door Weight	: 45Kgs / 2 Hinges
Maximum Door Width	: 800mm
Screws available	: phillips screws, allen screws
Automatic Door Function	: 20°

### Available Finishes



#### Notes:

1. Do not exceed either maximum weight or width when choosing proper quantity of hinges.
2. Washers should be added between glass and shower hinges according to glass.
3. All the screws should be fastened and ensure no loosening and sliding in use.
4. Regular maintenance should be carried out during the use of shower hinges
5. The shower hinges only for use on tempered glass.

### GLASS CUTTING

