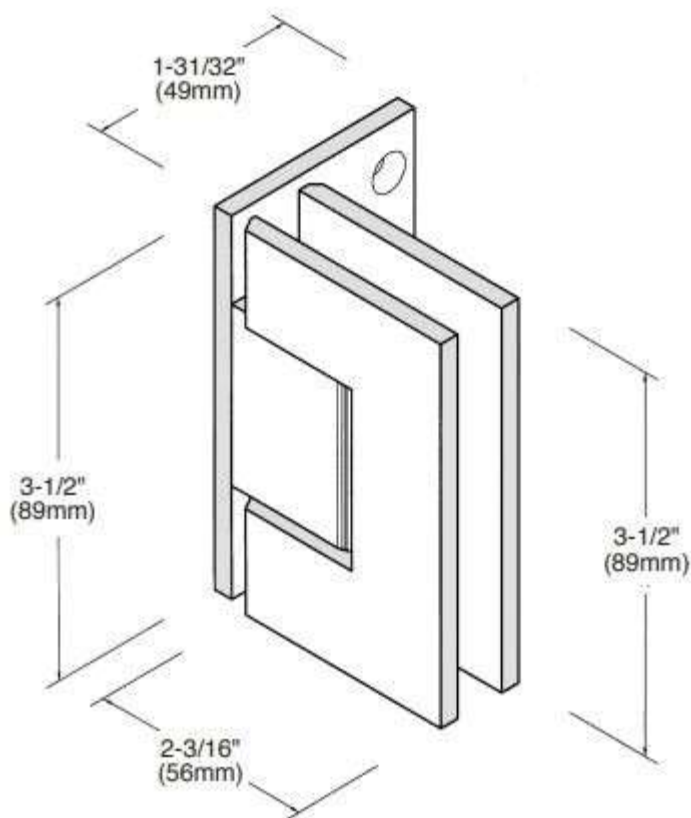


# GLASSFAB TEMPERING SERVICES

## HINGE DIMENSIONS: HSO & HBO

DRAWING NOT TO SCALE



### **Specifications:**

Designed for Use On 3/8" and 1/2" (10mm to 12mm) Tempered Glass Only

Maximum Door Weight for Two Hinges: 80 lbs (36kg) With Maximum Door Width of 28" (711mm)

Maximum Door Weight for Three Hinges: 120 lbs (54kg) With Maximum Door Width of 32" (813mm)

Self-Closing at 15 degrees

### **Additional Notes:**

Height: 3-1/2"

With 5 Degree Reversible Pivot Pin

Unit of Measure: Each

Material: Brass